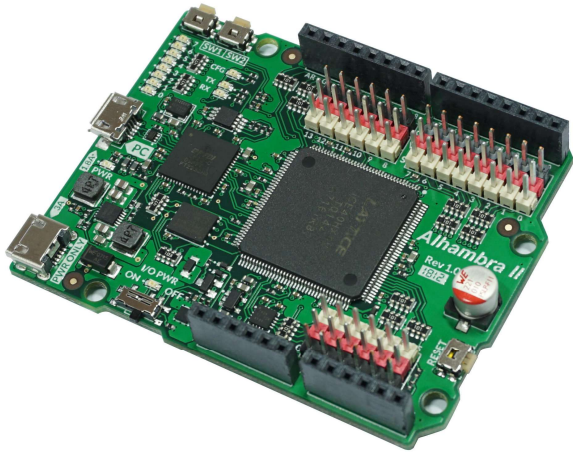
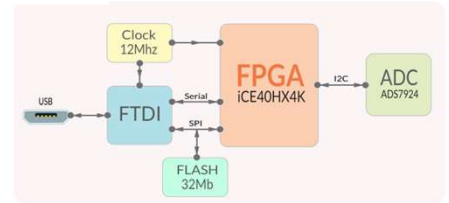


# Alhambra II

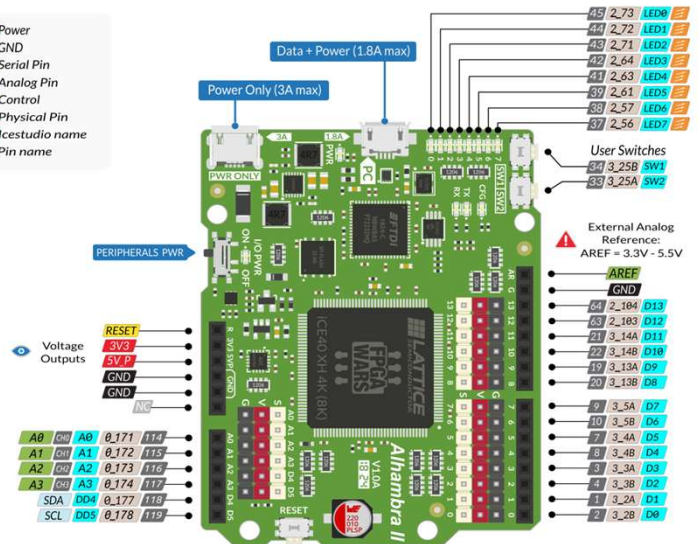
## Open FPGA for Makers



- ⚠ Maximum Supply Voltage: 5.5V
- ⚡ Operating Supply Voltage: 3.5 - 5.5V
- ✓ 3.3V GPIO, 5V Compatible
- ⚡ Each GPIO Includes a 200 ohm Serial Resistor
- ✓ ADC Internal to External Ref. Automatic Switching

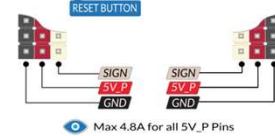


- Power
- GND
- Serial Pin
- Analog Pin
- Control
- Physical Pin
- Icestudio name
- Pin name



This board is about **exploring the open side of the FPGAs**. We know that there are more powerful FPGAs. We know that there are very amazing software tools that can do a lot of stuff... but they are not opensource. So, if you like the freedom too, this board is for you !

iCE40HX4K	Icestorm toolchain
Input power 3.5 - 5.5 vdc	Max input current 4.8A
12 MHz MEMS osc	8 general purpose LEDs
20 GPIO (3.3v / 5v)	2 Push Buttons
Linux / Windows / Mac	ON/OFF switch



Schematics available in **KiCAD**

PCB available in **KiCAD**

All components are available in **FreeCAD**

3D printable accessories

